

## Accessories for Shaker



### Sticky Plate

The Wiggins Sticky Plate can be loaded with any kind of vessels with a smooth base. Even at a speed of up to 350 rpm the vessel sticks to the plate. Other vessels, like microtitre plates can be shaken on the Wiggins Sticky Plate as well. but, only up to a speed of 220 rpm.

| Suitable for   | WS-50D/50DR | WS-100D  | WS-150D  | WS-200D |
|--|-------------|----------|----------|---------|
| Order No.  | 3A901       | 31901    | 31902    | 31903   |
| Dimensions(W x D in mm)  | 320x260     | 350x350  | 450x450  | 755x481 |
| Sticky (singal piece) (need 4 pieces for replacement on the try) | 3A901 -1    | 31901 -1 | 31902 -1 | 31903-1 |
| Try (Without sticky pieces)                                      | 3A901 -2    | 31901 -2 | 31902 -2 | 31903-2 |



### Multi-Purpose Spring

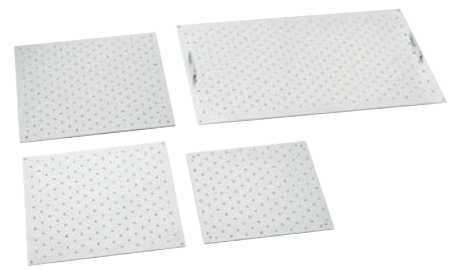
The multi-purpose tray is made of stainless steel and can be used for a diverse range of unusual specifications.

| Suitable for             | WS-50D/50DR | WS-100D     | WS-150D     | WS-200D    |
|--------------------------|-------------|-------------|-------------|------------|
| Order No.                | 3A521       | 31521       | 31522       | 31523-W    |
| Dimensions(W x D x H mm) | 320*260*120 | 350*350*120 | 450*450*120 | 754*478*97 |
| Max. Load of Flasks      |             |             |             |            |
| 50mL                     | 12          | 16          | 25          | 40         |
| 100mL                    | 6           | 9           | 16          | 28         |
| 250mL                    | 3           | 4           | 9           | 15         |
| 300mL                    | 3           | 4           | 9           | 15         |
| 500mL                    | 3           | 4           | 5           | 10         |
| 1L                       | 2           | 2           | 4           | 8          |
| 2L                       | -           | 1           | 2           | 4          |
| 2.8L                     | -           | 1           | 2           | 4          |



### Adjustable Bar Tray

| Suitable for             | WS-50D/50DR | WS-100D    | WS-150D    | WS-200D    |
|--------------------------|-------------|------------|------------|------------|
| Order No.                | 3A511       | 31511      | 31512      | 31513      |
| Dimensions(W x D x H mm) | 320x260x97  | 350x350x97 | 450x450x97 | 754x478x97 |
| Number of bar            | 3           | 3          | 3          | 6          |
| Order No. of bar         | 3A511-05    | 31511-05   | 31512-05   | 31513-05   |



### Universal Tray

The Universal Trays have a drilled grid for individual loadings of test tube holders with clamps, molds for microtitre plates, and deep-well plates.

| Suitable for                          | WS-50D/50DR | WS-100D | WS-150D | WS-200D |
|---------------------------------------|-------------|---------|---------|---------|
| Order No.                             | 3A501       | 31501   | 31502   | 31503   |
| Dimensions(W x D in mm)               | 320x260     | 350x350 | 450x450 | 755x481 |
| Max. Load of Flask Clamps             |             |         |         |         |
| 50mL                                  | 20          | 32      | 49      | 96      |
| 100mL                                 | 9           | 25      | 36      | 65      |
| 250mL                                 | 9           | 13      | 25      | 40      |
| 300mL                                 | 6           | 13      | 25      | 40      |
| 500mL                                 | 4           | 9       | 13      | 24      |
| 1L                                    | 2           | 4       | 8       | 12      |
| 2L                                    | 1           | 2       | 5       | 11      |
| 4L                                    | -           | 2       | 2       | 4       |
| Max. Load of Separatory Funnel Clamps |             |         |         |         |
| 250mL                                 | 4           | 4       | 6       | 11      |
| 500mL                                 | 3           | 3       | 4       | 9       |
| 1L                                    | 2           | 2       | 3       | 5       |
| 2L                                    | -           | 1       | 2       | 4       |



### Erlenmeyer flask clamp

| Size of flask | Reference No. | Order No. |
|---------------|---------------|-----------|
| 25mL          | 31274         | -         |
| 50mL          | 31279         | 23550     |
| 100mL         | 31271         | 23551     |
| 250mL         | 31275         | 23552     |
| 300mL         | -             | 23556     |
| 500mL         | 31280         | 23553     |
| 1000mL        | 31272         | 23554     |
| 2000mL        | 31273         | 23555     |
| 3000mL        | 31277         | -         |
| 4000mL        | 31278         | 23558     |
| 5000mL        | 31281         | -         |
| 6000mL        | -             | 23559     |



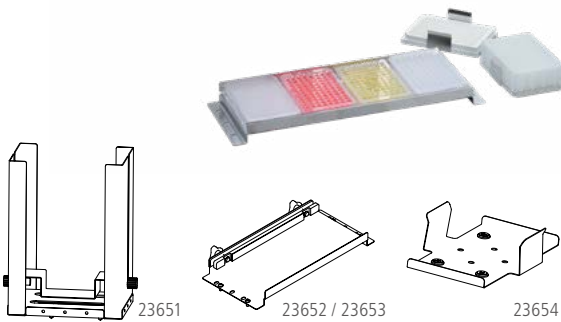
### Separatory Funnel Clamp

| Funnel Volumes          | 250mL  | 500mL  | 1L     | 2L     |
|-------------------------|--------|--------|--------|--------|
| Order No.               | 23562  | 23563  | 23564  | 23565  |
| Dimensions(W x D in mm) | 152x60 | 165x70 | 230x80 | 255x90 |

### Multi-Pore Holder

The Wiggins multi-pore holders can be installed on the Wiggins sticky plates or the Wiggins universal trays. All holders can be installed on small pores and deeper holes. In total, four different multi-pore holders are available:

1. Multi-Layer Holder
2. Single-Layer Single-Position Holder
3. Single-Layer Three-Position Holder
4. Single-Layer Four-Position Holder



| Max. No. of Mountable Holders | Multi-Layer | Four-Position | Three-Position | Single-Position |
|-------------------------------|-------------|---------------|----------------|-----------------|
| Order No.                     | 23651       | 23652         | 23653          | 23654           |
| Dimensions(W x D x H mm)      | 131x91x181  | 380x161x48    | 300x161x48     | 129x89x31       |
| Max. mountable holders        |             |               |                |                 |
| WS-50D/50DR                   | 4           | -             | 1              | 6               |
| WS-100D                       | 6           | -             | 2              | 8               |
| WS-150D                       | 10          | 2             | 3              | 15              |
| WS-200D                       | 16          | 3             | 5              | 25              |



### Rubber Mat

Designed for low-speed applications, non-skid rubber mats allow quick addition or removal of flasks, plates or tubes.

| Suitable for             | WS-50D/50DR | WS-100D    | WS-150D    | WS-200D    |
|--------------------------|-------------|------------|------------|------------|
| Order No.                | 3A531       | 31531      | 31532      | 31533      |
| Dimensions(W x D x H mm) | 350x290x23  | 352x352x23 | 450x450x23 | 775x478x90 |

### Plastic clamps for Erlenmeyer flask

| Order No. | Description | Order No. | Description |
|-----------|-------------|-----------|-------------|
| 31285     | 100mL       | 31287     | 500mL       |
| 31286     | 250mL       |           |             |

### Stainless steel clamps for Fernbach flask

| Order No. | Description | Order No. | Description |
|-----------|-------------|-----------|-------------|
| 31283     | 1.8L        | 31284     | 2.8L        |



### Test tube rack for long type

| Order No. | Description | Order No. | Description |
|-----------|-------------|-----------|-------------|
| 31342     | 144 x Ø8mm  | 31356     | 39 x Ø18mm  |
| 31343     | 100 x Ø10mm | 31358     | 36 x Ø20mm  |
| 31347     | 72 x Ø12mm  | 31359     | 33 x Ø22mm  |
| 31352     | 64 x Ø14mm  | 31360     | 20 x Ø25mm  |
| 31354     | 36 x Ø16mm  | 31361     | 16 x Ø30mm  |

### Test tube rack for short type

| Order No. | Description                                    |
|-----------|--|
| 31348     | 72 x Ø12mm                                     |
| 31353     | 64 x Ø14mm                                     |
| 31357     | 39 x Ø18mm (Suitable for Greiner Bio-one tube) |

### Rack for plastic test tube

| Order No. | Description      |
|-----------|------------------|
| 31355     | 36x Ø16mm (15mL) |
| 31362     | 16x Ø30mm (50mL) |

### 187mm test tube rack for short type

| Order No. | Description | Order No. | Description |
|-----------|-------------|-----------|-------------|
| 31344     | 44 x Ø12mm  | 31349     | 21 x Ø20mm  |
| 31346     | 24 x Ø18mm  |           |             |